

CMIP3C8PW-SDL

Platinum 8 MP Panoramic Fixed Turret IP Camera



This 8 MP Panoramic Turret IP Camera provides vivid imaging 24/7 with its advanced f 1.0 lenses, high performance sensors and friendly lighting. Its super-aperture collects more light to produce brighter images. Advanced sensor technology can vastly improve the utilization of available light.

- High quality imaging with 8 MP resolution
- One image captures an area that once required two or more cameras
- Color imaging 24/7
- Efficient H.265+ compression technology
- Clear imaging against strong back light thanks to 130 dB WDR technology
- Focus on human and vehicle classification based on deep learning
- Active strobe light and audio alarm to ward off intruders
- Water and dust resistant (IP67)

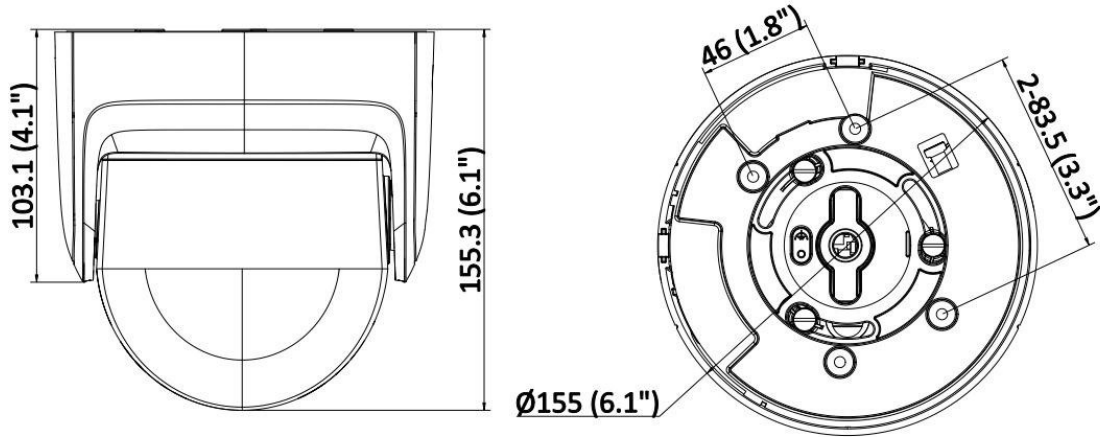
Specifications

Camera	
Image Sensor	2 × 1/1.8" Progressive Scan CMOS
Max. Resolution	5120 × 1440
Min. Illumination	Color: 0.0005 Lux @ (f 1.0, AGC ON), 0 Lux with light
Shutter Speed	1/3 to 1/100,000 sec.
Angle Adjustment	Pan: -30° to 30°, tilt: -75° to 75°
Lens	
Lens Type	Fixed focal length; dual 4 mm lenses
Field of View	Horizontal: 180° ± 10° Vertical: 44°
Lens Mount	M16
Iris Type	Fixed
Aperture	f 1.0
Depth of Field	3.6 m to ∞
Detection, Observation, Recognition, Identification (DORI)	
Ranges (Approx.)	4 mm, D: 250 ft (77 m), O: 100 ft (30 m), R: 50 ft (15 m), I: 23 ft (7 m)
Supplemental Lighting	
Type	White
Range	Up to 131 ft (40 m)
Technology	Smart
Video	
Main Stream	When WDR is <i>On</i> : 50 Hz: 12.5 fps (5120 × 1440) 60 Hz: 15 fps (5120 × 1440) When WDR is <i>Off</i> : 50 Hz: 20 fps (5120 × 1440) 60 Hz: 20 fps (5120 × 1440)
Sub-Stream	When WDR is <i>On</i> : 50 Hz: 12.5 fps (1920 × 536, 960 × 272) 60 Hz: 15 fps (1920 × 536, 960 × 272) When WDR is <i>Off</i> : 50 Hz: 20 fps (1920 × 536, 960 × 272) 60 Hz: 20 fps (1920 × 536, 960 × 272)
Video Compression	Main stream: H.265+ / H.265 / H.264+ / H.264 Sub-stream: H.265 / H.264 / MJPEG
Video Bit Rate	32 Kbps to 16 Mbps
H.264 Type	Baseline Profile, Main Profile, High Profile
H.265 Type	Main Profile
Bit Rate Control	CBR, VBR
Scalable Video Coding (SVC)	H.264 and H.265 encoding
Region of Interest (ROI)	1 fixed region(s) for main stream
Audio	
Audio Type	Mono
Audio Compression	G.711 / G.722.1 / G.726 / MP2L2 / PCM / MP3 / AAC-LC

Audio Bit Rates	64 Kbps (G.711 ulaw / G.711 alaw) / 16 Kbps (G.722.1) / 16 Kbps (G.726) / 32 to 192 Kbps (MP2L2) / 8 to 320 Kbps (MP3) / 16 to 64 Kbps (AAC-LC)
Audio Sampling Rates (kHz)	8 / 16 / 32 / 44.1 / 48
Environmental Noise Filtering	Yes
Network	
Protocols	TCP/IP, ICMP, HTTP, HTTPS, FTP, DHCP, DNS, DDNS, RTP, RTSP, NTP, UPnP, SMTP, IGMP, 802.1X, QoS, IPv6, UDP, Bonjour, SSL/TLS, PPPoE, SNMP
Simultaneous Live View	Up to 6 channels
API	Open Network Video Interface (Profile S, Profile G, Profile T), ISAPI, SDK, ISUP
User / Host	Up to 32 users 3 user levels: Administrator, operator, and user
Security	Password protection, complicated password, HTTPS encryption, 802.1X authentication (EAP-MD5), watermark, IP address filter, basic and digest authentication for HTTP/HTTPS, WSSE and digest authentication for Open Network Video Interface, RTP/RTSP over HTTPS, control timeout settings, security audit log, TLS 1.2, host authentication (MAC address)
Network Storage	NAS (NFS, SMB / CIFS), Auto Network Replenishment (ANR), NVR
Web Browser	Plug-in required for live viewing in IE 10, IE 11 Plug-in-free live view: Chrome 57.0+, Firefox 52.0+, Local service: Chrome 57.0+, Firefox 52.0+
Imaging	
Image Parameter Switching	Yes
Image Settings	Saturation, brightness, contrast, sharpness, gain, white balance, adjustable by client software or web browser
Day / Night Switching	Day, Night, Auto, Schedule
Wide Dynamic Range (WDR)	130 dB
SNR	≥ 52 dB
Image Enhancement	BLC, HLC, 3D DNR
Interface	
Ethernet Interface	1 x RJ45 10/100 Mbps self-adapting Ethernet port
On-Board Storage	Built-in memory card slot, supports MicroSD / SDHC / SDXC / TF cards up to 256 GB
Built-in Microphone	Yes
Built-in Speaker	Max. power consumption: 1.2 W; max. sound pressure: 10 cm: 95 dB
Audio	1 input (line in), terminal block, max. input amplitude: 3.3 Vpp, input impedance: 4.7 KΩ, interface type: non-equilibrium 1 output (line out), terminal block, max. output amplitude: 3.3 Vpp, output impedance: 100 Ω, interface type: non-equilibrium
Alarm	1 input, 1 output (max. 24 V DC, 1 A)
Reset Key	Yes
Event Types	
Basic	Motion detection (supports alarm triggering by specified target types (human and vehicle)), alarm input and output, flashing light, audible alarm output, anomalies

Smart	Line crossing, intrusion, region entrance, region exiting (supports alarm triggered by specified target types (human and vehicle)), and scene change detections
Linkage	Upload to FTP / NAS / memory card, notify surveillance center, send email, trigger alarm output, trigger recording, trigger capture, audible warning, white light flashing
Deep Learning Functions	
Perimeter Protections	Line crossing, intrusion, region entrance, region exiting (support alarm triggering by specified target types (human and vehicle))
General	
Power	12 VDC ± 25%, 0.88 A, max. 10.5 W, Ø5.5 mm coaxial power plug, PoE: IEEE 802.3af, Class 3, 36 V to 57 V, 0.35 A to 0.22 A, max. 12.5 W
Materials	Metal
Camera Dimensions	Ø 6.1 × 6.1 in. (Ø 155 × 155.3 mm)
Package Dimensions	9 × 9 × 9 in. (230 × 230 × 230 mm)
Weight	Approx. 2.4 lbs (1,110 g)
Shipping Weight	Approx. 4.2 lbs (1,900 g)
Storage Conditions	-22° to 140° F (-30° to 60° C). Humidity 95% or less (non-condensing)
Startup and Operating Conditions	-22° to 140° F (-30° C to 60° C). Humidity 95% or less (non-condensing)
Languages (33)	English, Russian, Estonian, Bulgarian, Hungarian, Greek, German, Italian, Czech, Slovak, French, Polish, Dutch, Portuguese, Spanish, Romanian, Danish, Swedish, Norwegian, Finnish, Croatian, Slovenian, Serbian, Turkish, Korean, Traditional Chinese, Thai, Vietnamese, Japanese, Latvian, Lithuanian, Portuguese (Brazil), Ukrainian
General Functions	Anti-flicker, heartbeat, password reset via email, password protection, one-key reset
Flashing Light	Yes
Certifications	
EMC	FCC: 47 CFR Part 15, Subpart B CE-EMC: EN 55032: 2015; EN 61000-3-2: 2019; EN 61000-3-3: 2013+A1:2019 EN 50130-4: 2011 +A1: 2014 RCM: AS/NZS CISPR 32: 2015 IC: ICES-003: Issue 7
Safety	UL: UL 62368-1, CB: IEC 62368-1: 2014+A11, CE-LVD: EN 62368-1: 2014/A11: 2017
Environmental	CE-RoHS: 2011 / 65 / EU WEEE: 2012 / 19 / EU Reach: Regulation (EC) No 1907/2006
Protections	IP67: IEC 60529-2013

Dimensions – cm (in.)



Accessories (Optional)

LTB342-155 Wall Mount	LTB781 Pendant Mount	LTB722 Junction Box
		